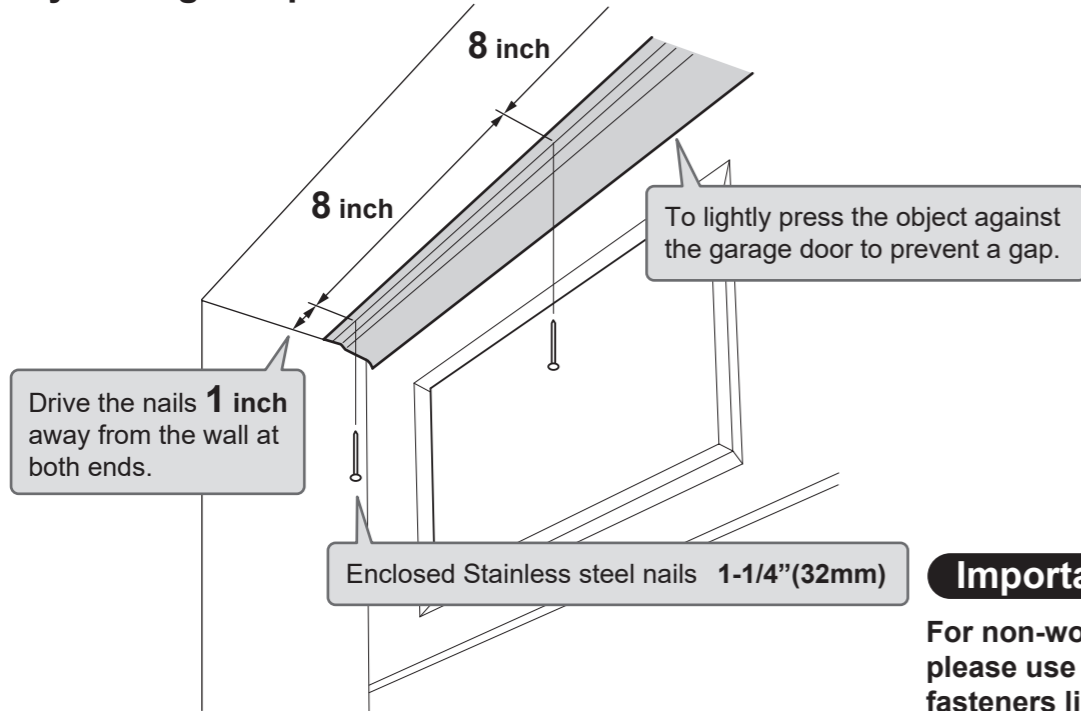


# Instruction manual

## Ratshat For garage door

### 2 Install the Ratshut

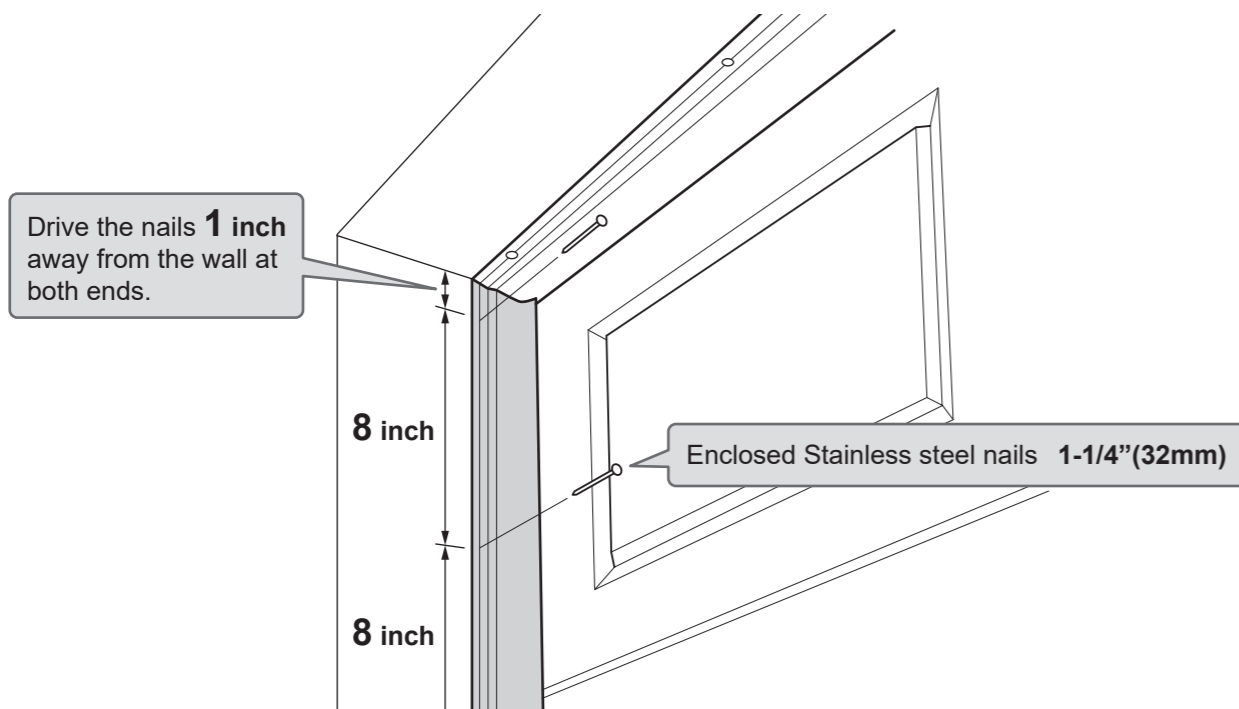
#### 1 Install the Ratshut on the top section by nailing it in place.



#### Important!

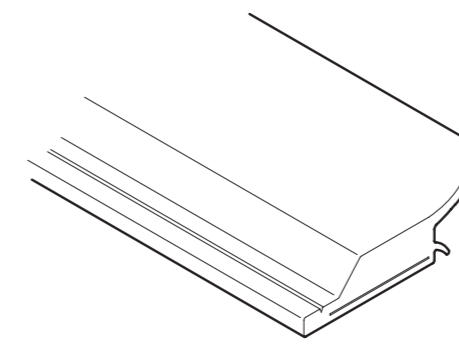
**For non-wooden frames, please use suitable fasteners like screws instead of nails to secure the item.**

#### 2 Fix Ratshut to the side with the enclosed nails.



### After installation

•Please ensure that the garage door can be opened and closed without any issues.



Thank you for purchasing our rodent proofing weather strip "Ratshat for garage door".

- Please read this manual carefully and install the Ratshut correctly and safely. **In particular, be sure to read the Important Instruction manual before installation.**
- We are not liable for any accidents or damages caused by installation methods not described in this manual. Additionally, if a malfunction occurs due to such installation, it will not be covered by the product warranty.
- Please dispose of packaging materials and residual materials properly in accordance with local regulations.

## Safety Precautions

Please observe

■This document classifies the extent of harm or damage that can result from incorrect installation.

■The following pictograms provide visual representations of the safety measures to be observed.

**WARNING** Danger of injury or damage to property.

Strictly prohibited.

This is a mandatory procedure.

### WARNING

 Prohibited	<ul style="list-style-type: none"> <li>•This product is designed specifically for garage doors. Please refrain from using it for other applications.</li> <li>•Operating temperature range: -20°C to 80°C. Avoid using this product in environments outside of this temperature range.</li> </ul>	 Mandatory procedure	<ul style="list-style-type: none"> <li>•Always use the specified tools. Using the wrong tools may result in injury.</li> <li>•Always deburr after cutting. Ratshut contains a stainless steel core plate. Burrs may form after cutting, so please remove them. Failure to do so may result in injury during installation.</li> </ul>
 Mandatory procedure	<ul style="list-style-type: none"> <li>•Ratshut must be securely fastened with nails. Double-sided tape does not provide sufficient adhesive strength for fixation.</li> <li>•Adherence to safety regulations is mandatory when performing high-altitude work.</li> </ul>		

## Please read the following instructions

### ●Gentle Operation:

Avoid using excessive force when closing or opening your garage door. Rough handling can damage the Ratshut weatherstrip.

### ●Avoid Sharp Objects:

Keep sharp objects away from the Ratshut weatherstrip to prevent punctures or cuts.

### ●Prevent Sagging:

Do not place heavy objects on the Ratshut weatherstrip. This can cause it to sag or deform, affecting its sealing ability.

### ●Professional Replacement:

If the Ratshut weatherstrip is damaged or ripped, do not attempt DIY repairs. Contact a professional for proper replacement.

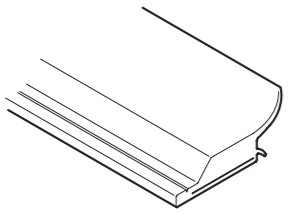

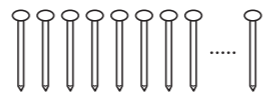
### ●Inspect for Wear:

Regularly inspect the Ratshut weatherstrip. If you can see the stainless steel core, it indicates that the Ratshut weatherstrip is worn out and needs to be replaced.

### ●Safety First:

Always wear gloves when handling the stainless steel core of the Ratshut weatherstrip to protect your hands from potential injury.

## Parts

Parts name	Ratshut	Instruction manual	Nails
Image			 Stainless steel nails 1-1/4" (32mm)
QTY	1roll	1pc	15pcs in 1 pack

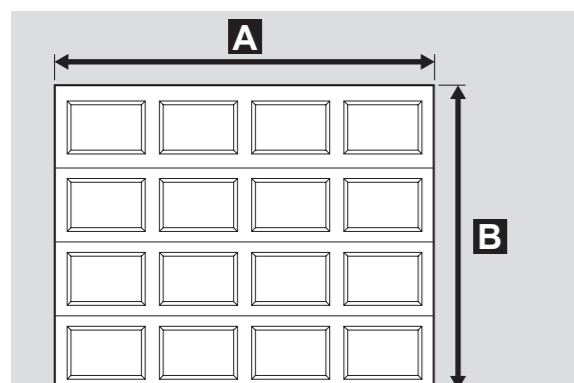
## Tools



## Order of Installation Steps

### 1 Cutting

#### ① Check the dimensions of the garage door.



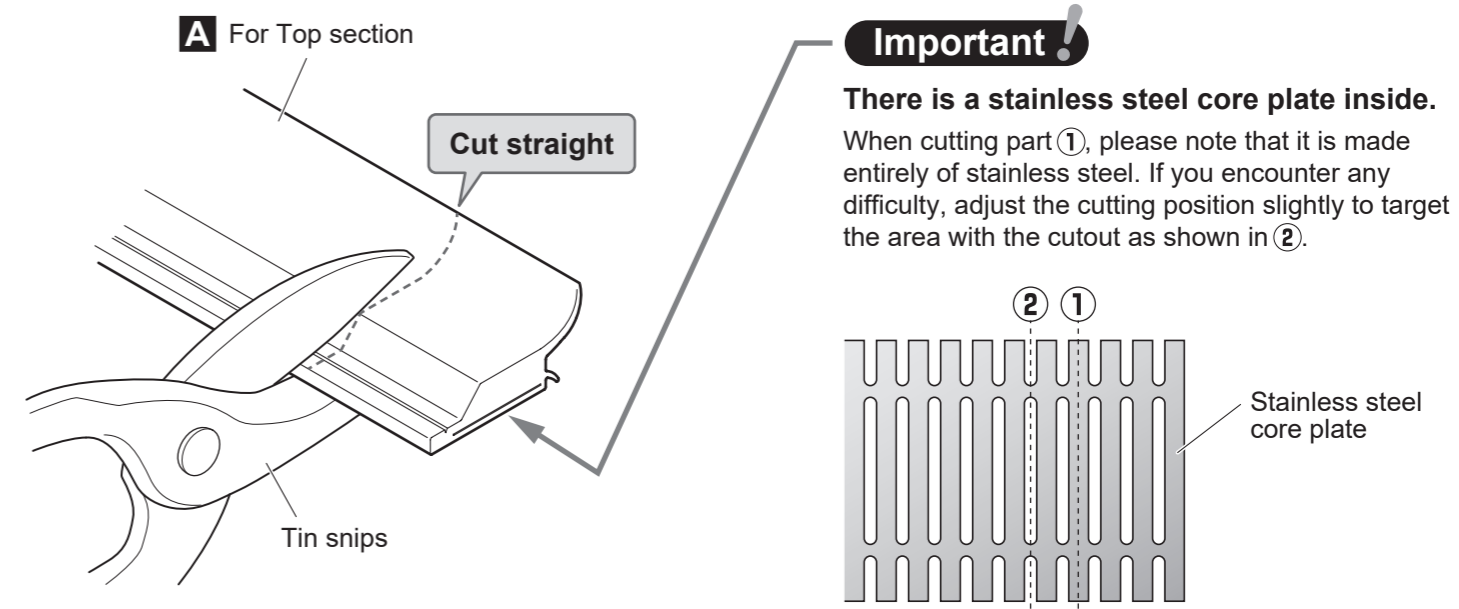
#### **A** Top

Measure the width of the garage door.

#### **B** Sides

Measure the height of the garage door.

### ② Cut the Ratshut to the required length for the top section.

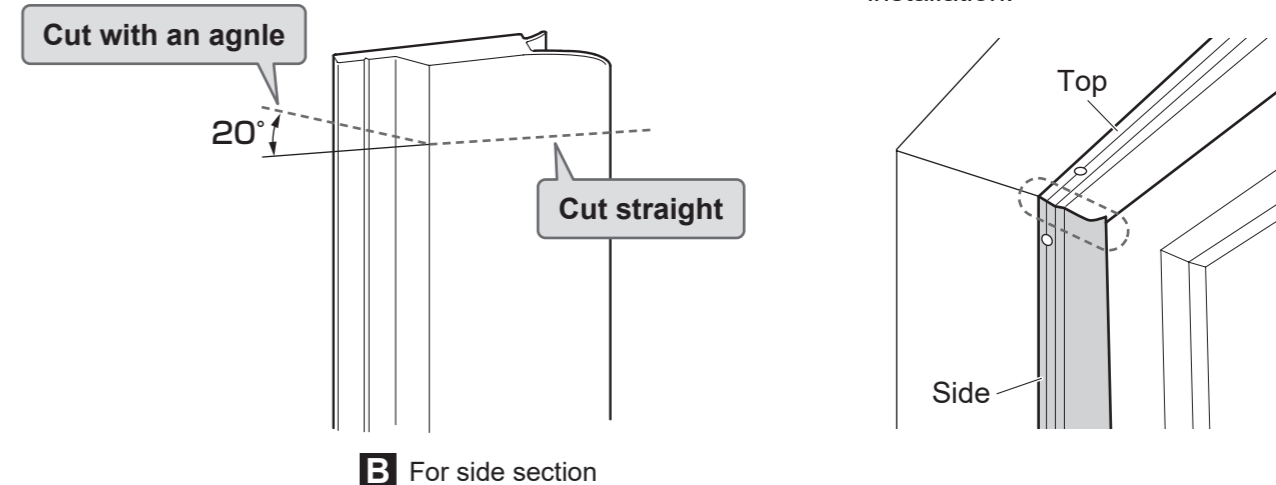


### ③ Cut the Ratshut to the required length for the side section.

#### **Important!**

Please note that the cutting shape for the side section is different from the top section.

Cutting it at an angle and straight will help reduce the gap with the top section after installation.



### **! WARNING**

The cut edges of the stainless steel will have sharp burrs. Always remove these burrs by tapping with a hammer or filing. Failure to do so could result in serious injury. Exercise extreme caution when working with sharp edges.

