

Rodent proofing
Weatherstrip

BURRTEC

916-252-9554
cs@burrtecusa.com
www.burrtecusa.com



*Chew-proof
Metal core*

RAT SHUT FOR GARAGE DOOR



NEW

BOTTOM

Durable,
Dual-lip seal,
Metal core
design.



BOTTOM

Designed for T-track
garage door bottom



Steel spring coil



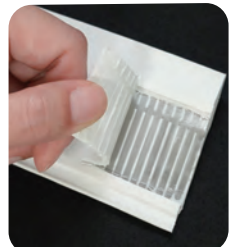
TOP / SIDE

TOP

SIDE

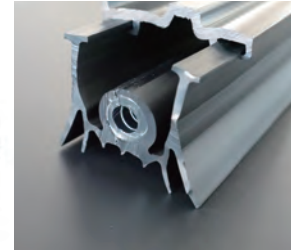
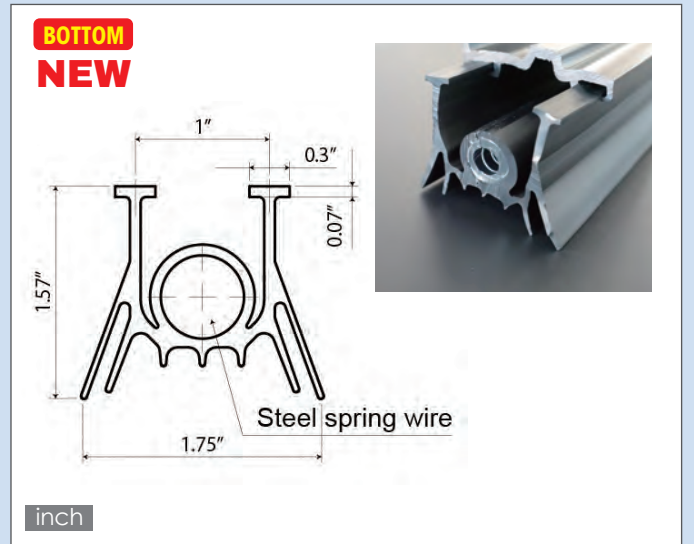
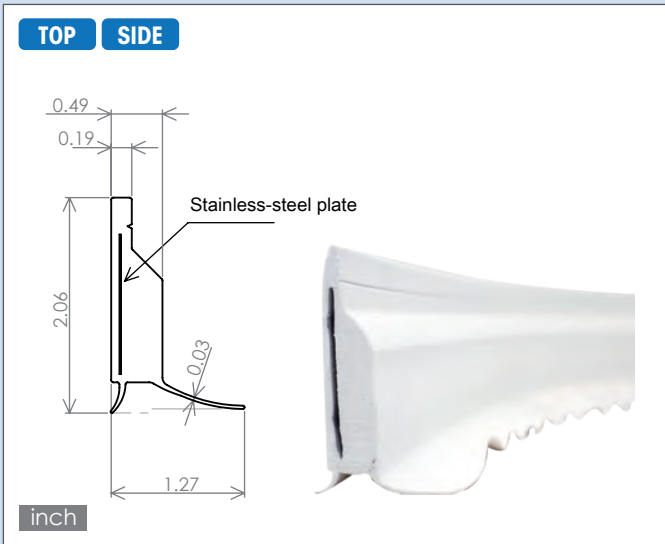
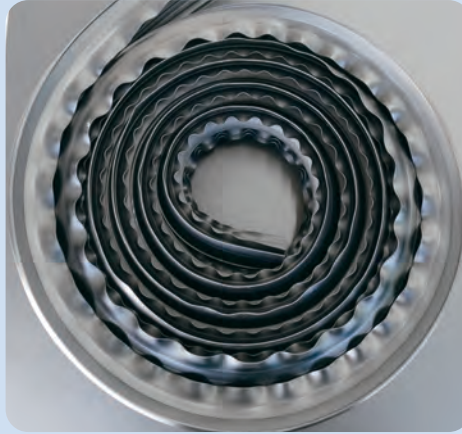


Stainless steel
core plate



RATSHUT

Rodent proofing weatherstrip



TOP SIDE Ratshut for garage door, Top and Side

#23805000	RSFGD-9ft
#23805010	RSFGD-16ft

Material: Body: TPO white, Fishbone stainless steel core plate Stainless steel white nails are included.

BOTTOM Ratshut for garage door, Bottom

#23807000	RSFGD-B9ft
#23807010	RSFGD-B16ft

Material: TPVC, Steel spring wire

Note: • Opener travel limit adjustment may be required. • For T-track doors (1"-2" thick). • Wavy appearance may occur.

Change the world with brushes



BURRTEC CA Office

11311 White Rock Rd, Rancho Cordova, CA 95742



+1 (916) 252-9554



cs@burrtecusa.com



MADE IN JAPAN