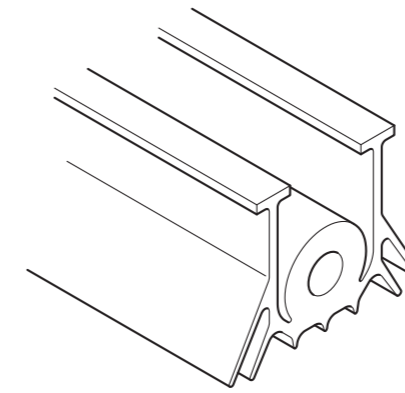
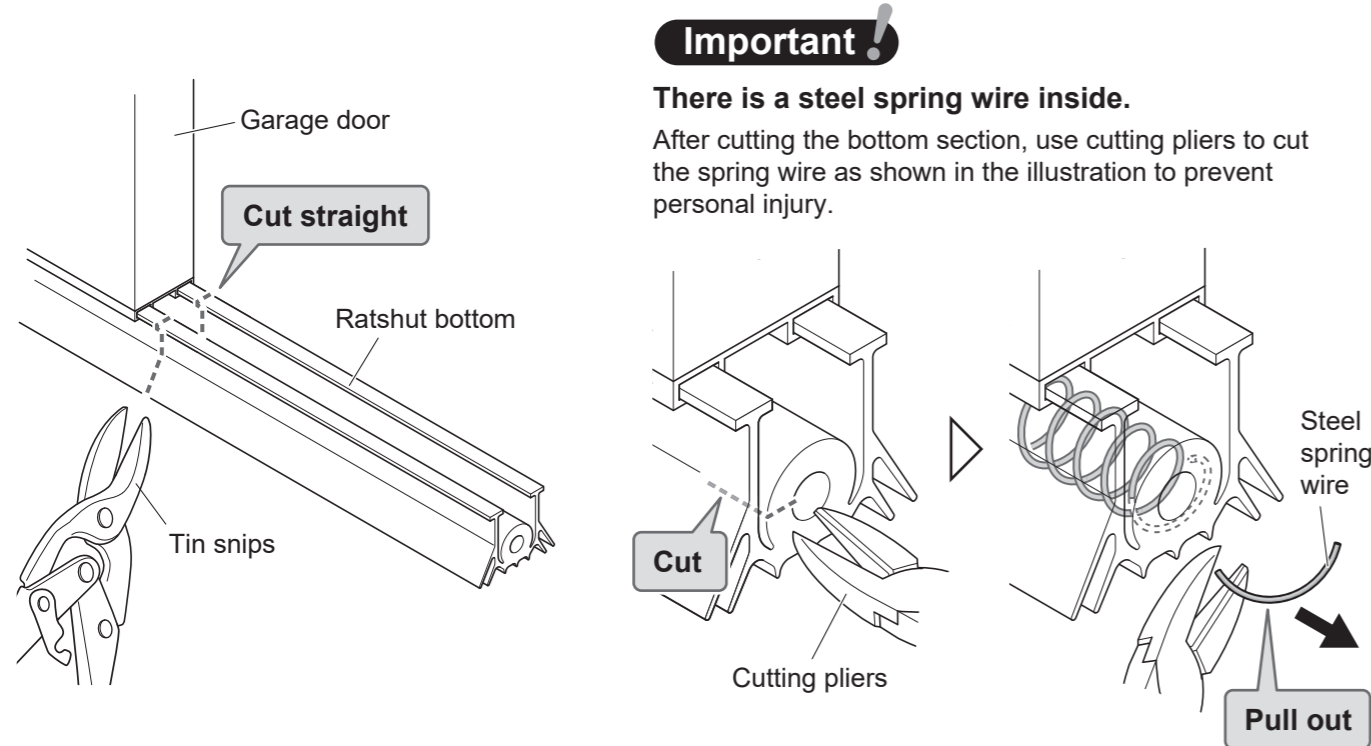


Instruction manual

Ratshat For garage door Bottom



- 5 Cut the Ratshut Bottom to the same length as the T-slot Retainer (A Bottom dimension).
Note: If the lower lip interferes with the side jamb, make relief cuts at the contact points using scissors.



Important !

There is a steel spring wire inside.
 After cutting the bottom section, use cutting pliers to cut the spring wire as shown in the illustration to prevent personal injury.

After installation

- Please ensure that the garage door can be opened and closed without any issues.
- 1 Remove the locking pliers (vise grips), then check the door for proper opening and closing operation

Important !

Operator Limit Adjustment

The garage door stop (travel limit) positions must be adjusted after installation.
 All limit adjustments shall be performed strictly in accordance with the instructions provided in the applicable garage door operator manufacturer's installation and operation manual.
 For reference, the websites of representative garage door operator manufacturers are listed below. Identify the installed operator model and ensure that both the upper and lower travel limits are correctly set.

LiftMaster	https://www.liftmaster.com/	Craftsman	https://www.craftsman.com/
Chamberlain	https://www.chamberlain.com/	Marantec	https://www.marantec.com/
Genie	https://www.geniecompany.com/	Linear	https://linear-solutions.com/

! WARNING

BURRTEC assumes no responsibility for any malfunction, improper operation, or damage resulting from incorrect adjustment of the garage door operator. All operator adjustments are the sole responsibility of the installer or end user.

Thank you for purchasing our rodent proofing weather strip "Ratshut for garage door Bottom".

- Please read this manual carefully and install the Ratshut correctly and safely. **In particular, be sure to read the Important Instruction manual before installation.**
- We are not liable for any accidents or damages caused by installation methods not described in this manual. Additionally, if a malfunction occurs due to such installation, it will not be covered by the product warranty.
- Please dispose of packaging materials and residual materials properly in accordance with local regulations.
- When adjusting the garage door operator, always refer to the manufacturer's installation and operation manual and perform all adjustments strictly in accordance with the specified instructions.
- Before installing the top and side sections of the Ratshut, install the bottom section first.
- Minor waviness may be observed in the product upon unpacking; however, this does not affect performance or proper operation.
- With continued use, surface rust may develop at the ends of the springs; however, this does not affect performance or safe operation.

Safety Precautions Please observe

- This document classifies the extent of harm or damage that can result from incorrect installation.
- The following pictograms provide visual representations of the safety measures to be observed.

	WARNING Danger of injury or damage to property.		Strictly prohibited.
			This is a mandatory procedure.

	<ul style="list-style-type: none"> • This product is designed specifically for garage doors. Please refrain from using it for other applications. • Operating temperature range: -4°F - 140°F (-20°C - 60°C). Avoid using this product in environments outside of this temperature range. 		<ul style="list-style-type: none"> • Always deburr after cutting. Ratshut contains a steel spring wire. Burrs may form after cutting, so please remove them. Failure to do so may result in injury during installation.
	<ul style="list-style-type: none"> • Adherence to safety regulations is mandatory when performing high-altitude work. • After installation, adjust the door's upper and lower travel limits. • Adjustment work must be performed by two persons. • Always use the specified tools. Using the wrong tools may result in injury. 		<ul style="list-style-type: none"> • When adjusting the door, secure the door in place before performing any work by using locking pliers (vise grips) or equivalent clamps on the guide rails and the spring bar.

Please read the following instructions

●Gentle Operation:

Avoid using excessive force when closing or opening your garage door. Rough handling can damage the Ratshut weatherstrip.

●Avoid Sharp Objects:

Keep sharp objects away from the Ratshut weatherstrip to prevent punctures or cuts.

●Prevent Sagging:

Do not place heavy objects on the Ratshut weatherstrip. This can cause it to sag or deform, affecting its sealing ability.

●Professional Replacement:

If the Ratshut weatherstrip is damaged or ripped, do not attempt DIY repairs. Contact a professional for proper replacement.

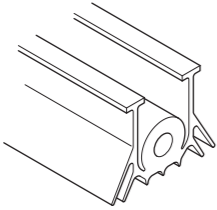

●Inspect for Wear:

Regularly inspect the Ratshut weatherstrip. If you can see the spring wire, it indicates that the Ratshut weatherstrip is worn out and needs to be replaced.

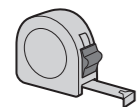
●Safety First:

Always wear gloves when handling the spring wire of the Ratshut weatherstrip to protect your hands from potential injury.

Parts

Parts name	Ratshut	Instruction manual
Image		
QTY	1roll	1pc

Tools



Tape measure



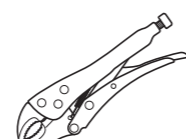
Pencil



Tin snips



Cutting pliers



Locking pliers (Vise grips)



Silicone spray lubricant



Leather gloves



Safety glasses



Step ladder

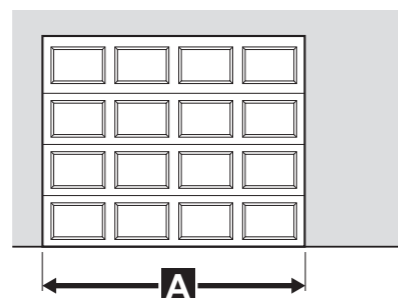
Order of Installation Steps

1 Check

1 Check the dimensions of the garage door.

A Bottom

Measure the width of the garage door.



Wear gloves



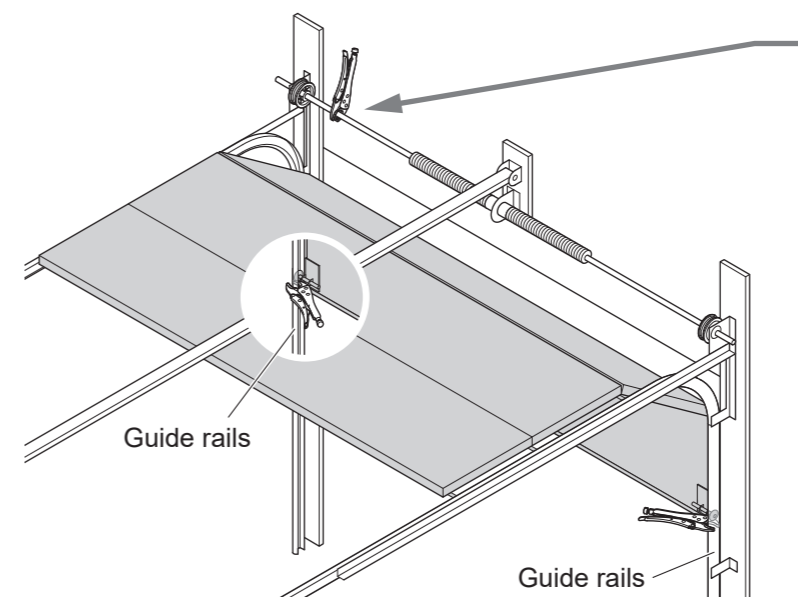
Wear safety glasses

2 Install the Ratshut

- Install the bottom section first, then install the top and side sections of the Ratshut.

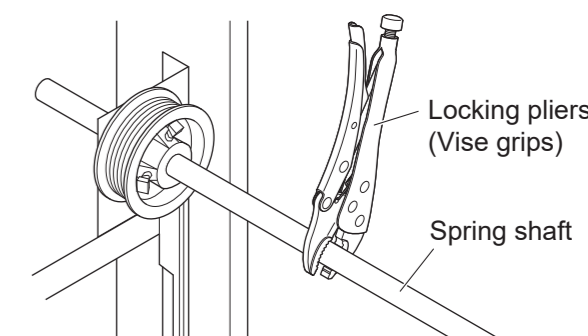


- 1 Set the door to manual operation mode and position it at a convenient working height. Before performing installation work, switch the door operator to manual operation mode. Refer to the operator manufacturer's installation and operation manual for instructions on how to switch to manual mode.

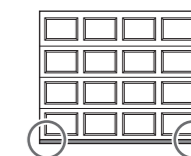


Important!

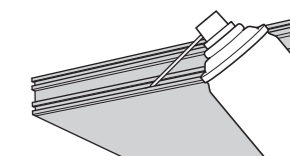
To prevent the door from moving downward, secure the door by clamping the spring shaft and the guide rails with locking pliers (vise grips) or equivalent clamps.



- 2 Remove the weather strip from the bottom retainer. Note: The rubber weather strip may be fastened with screws.

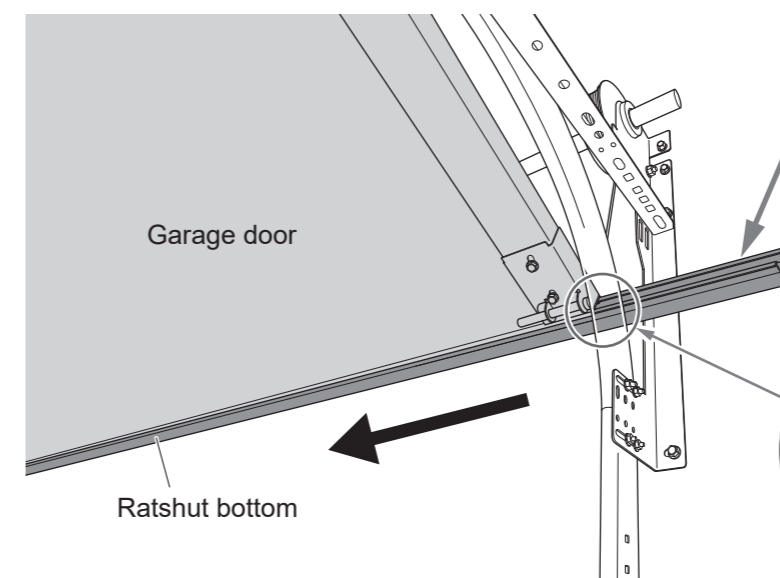


- 3 Thoroughly clean the retainer to remove any dirt or debris, then apply a silicone spray or an appropriate lubricant.



- 4 Install the Ratshut Bottom onto the retainer.

Applicable T-slot Retainer sizes: Minimum 1- 3/8 inches, maximum 2 inches.



Important!

Installation must be performed by two persons. Note: Install the product slowly and keep it properly aligned (straight) during installation.