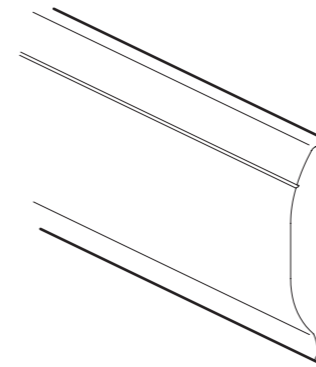


Instruction manual

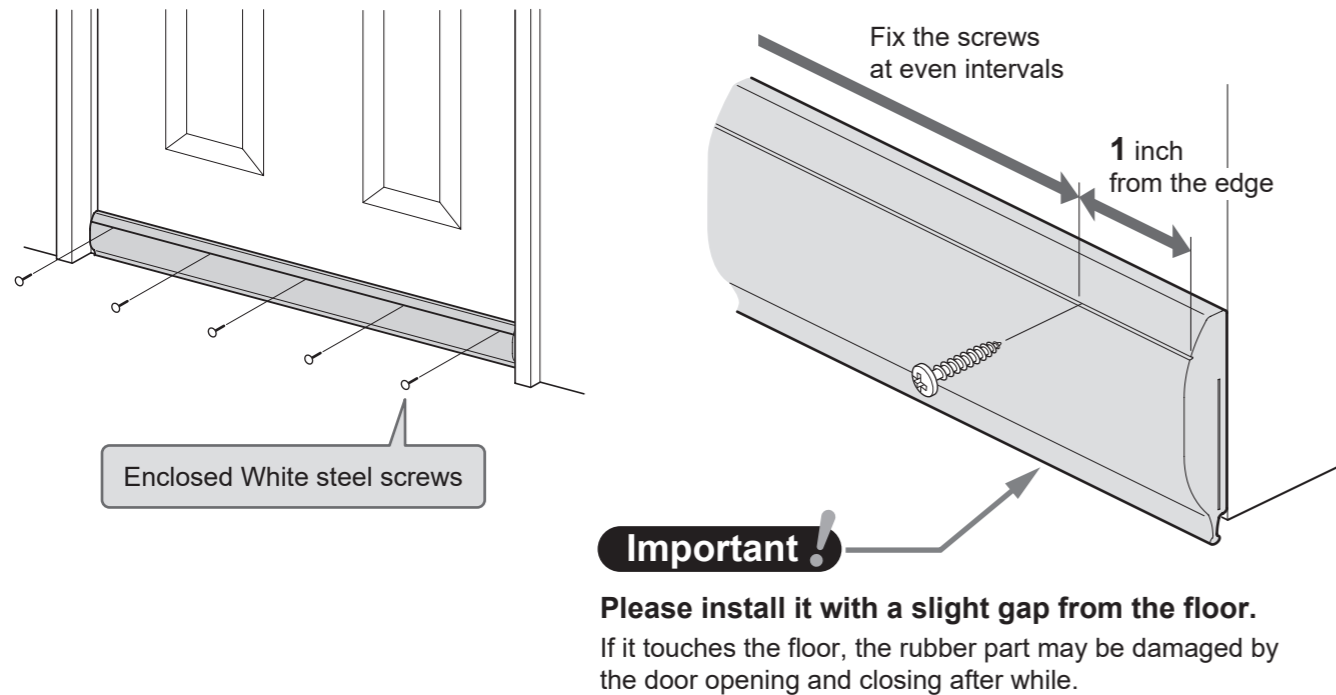
Ratshat For door



3 Attach the Ratshat to the door using the fixing screws.

For wooden door ▶ Fix with the included screws.

For aluminum or stainless steel doors ▶ pre-drill a 3.5mm hole, then secure with the provided screws.



Thank you for purchasing our rodent proofing weather strip "Ratshat for door".

- Please read this manual carefully and install the Ratshat correctly and safely. **In particular, be sure to read the Important Instruction manual before installation.**
- We are not liable for any accidents or damages caused by installation methods not described in this manual. Additionally, if a malfunction occurs due to such installation, it will not be covered by the product warranty.
- Please dispose of packaging materials and residual materials properly in accordance with local regulations.

Safety Precautions

Please observe

■ This document classifies the extent of harm or damage that can result from incorrect installation.

■ The following pictograms provide visual representations of the safety measures to be observed.

WARNING Danger of injury or damage to property.

Strictly prohibited.

This is a mandatory procedure.

After installation

- Please open and close the door to ensure it operates smoothly without any binding or resistance.

WARNING

	<ul style="list-style-type: none"> ● This product is designed specifically for doors. It is not intended for use on rollup shutters or other applications. ● Operating temperature range: -20°C to 80°C. Avoid using this product in environments outside of this temperature range. 		<ul style="list-style-type: none"> ● Always deburr after cutting. Ratshat contains a stainless steel core plate. Burrs may form after cutting, so please remove them. Failure to do so may result in injury during installation.
	<ul style="list-style-type: none"> ● Ratshat must be securely fastened with White steel screws. Double-sided tape does not provide sufficient adhesive strength for fixation. ● Adherence to safety regulations is mandatory when performing high-altitude work. ● Always use the specified tools. Using the wrong tools may result in injury. 		<ul style="list-style-type: none"> ● If you can see the core stainless steel plate, the Ratshat needs to be replaced.

Please read the following instructions

●Gentle Operation:

Avoid using excessive force when closing or opening your door. Rough handling can damage the Ratshut weatherstrip.

●Avoid Sharp Objects:

Keep sharp objects away from the Ratshut weatherstrip to prevent punctures or cuts.

●Prevent Sagging:

Do not place heavy objects on the Ratshut weatherstrip. This can cause it to sag or deform, affecting its sealing ability.

●Professional Replacement:

If the Ratshut weatherstrip is damaged or ripped, do not attempt DIY repairs. Contact a professional for proper replacement.

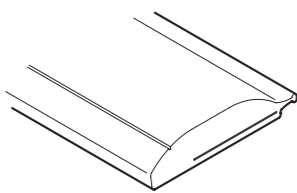


●Inspect for Wear:

Regularly inspect the Ratshut weatherstrip. If you can see the stainless steel core, it indicates that the Ratshut weatherstrip is worn out and needs to be replaced.

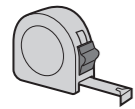
●Safety First:

Always wear gloves when handling the stainless steel core of the Ratshut weatherstrip to protect your hands from potential injury.

Parts

Parts name	Ratshut	Instruction manual	Screws
Image			 White steel screws
QTY	1roll	1pc	5pcs in 1 pack

Tools



Tape measure



Pencil



Tin snips



Hammer



File



Drill

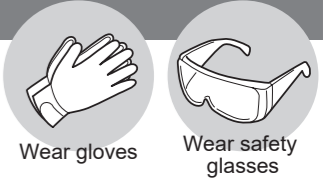


Leather gloves



Safety glasses

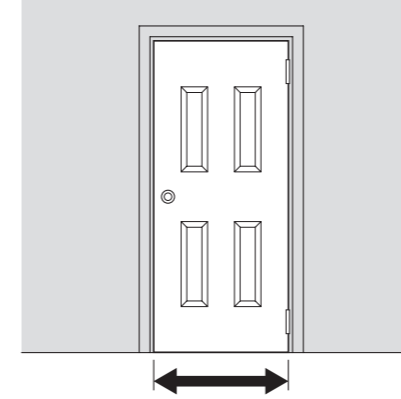
Order of Installation Steps



Wear gloves

Wear safety glasses

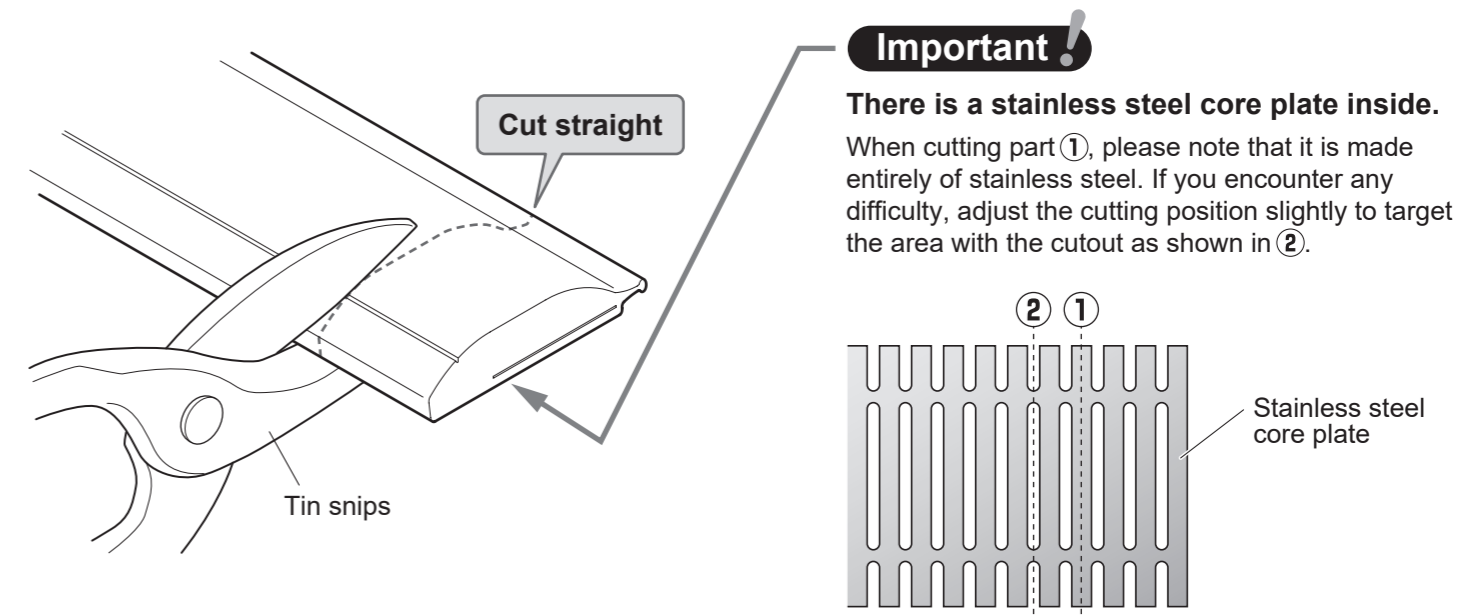
① Measure the door opening width.



Important!

The required cut size may vary depending on the door type. To ensure smooth operation, please make adjustments to the cut on-site as you verify the door's ability to open and close.

② Cut the Ratshut to the desired length.



⚠ WARNING

The cut edges of the stainless steel will have sharp burrs. Always remove these burrs by tapping with a hammer or filing. Failure to do so could result in serious injury. Exercise extreme caution when working with sharp edges.

